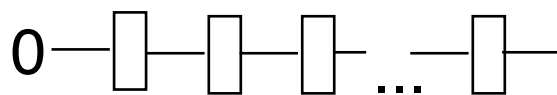
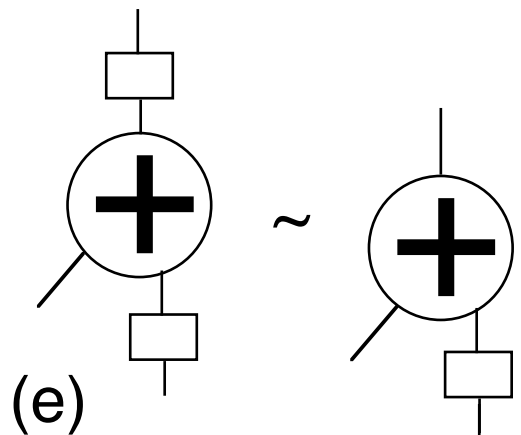
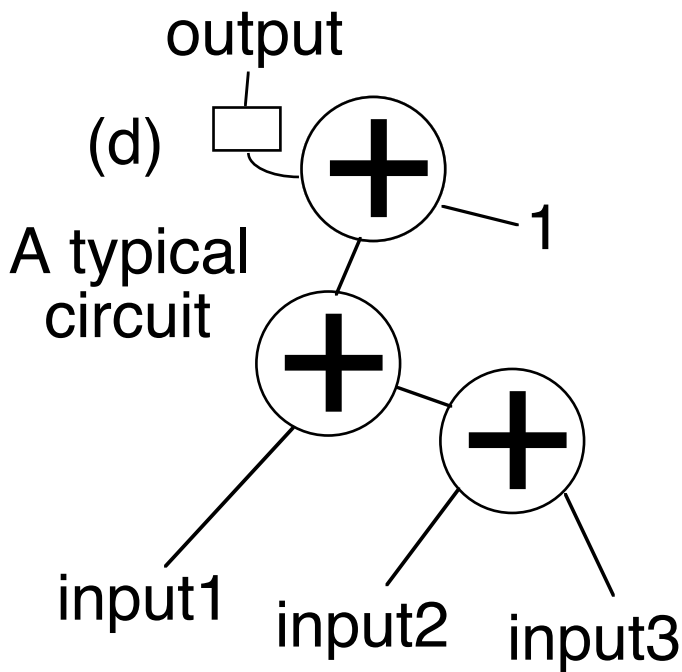
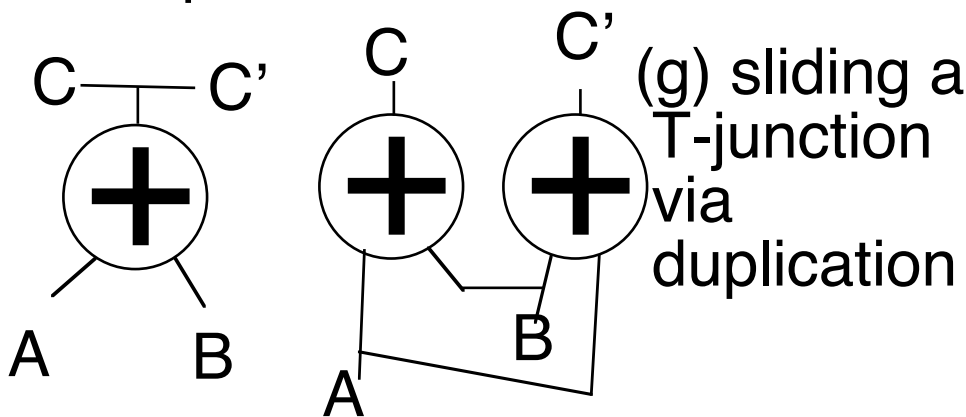


(c) Any Sbox may be replaced by this equivalent circuit



(f) Scenario for "piling up lemma"



Hamming [7,4,3] cyclic BLECC:

$$\text{gen} = \begin{bmatrix} 1011000 \\ 0101100 \\ 0010110 \\ 0001011 \end{bmatrix}$$

$$\text{dual} = \begin{bmatrix} 0011101 \\ 1001110 \\ 0100111 \end{bmatrix}$$